

PARTS LIST
WITH RECOMMENDED SPARE

HP-6 SERIES PUMP



MODEL

HP - 6

Thomas Pump & Machinery
120 Industrial Drive
Slidell, LA 70460

PH: 985-649-3000
Fax: 985-649-4300

SECTION DRAWING

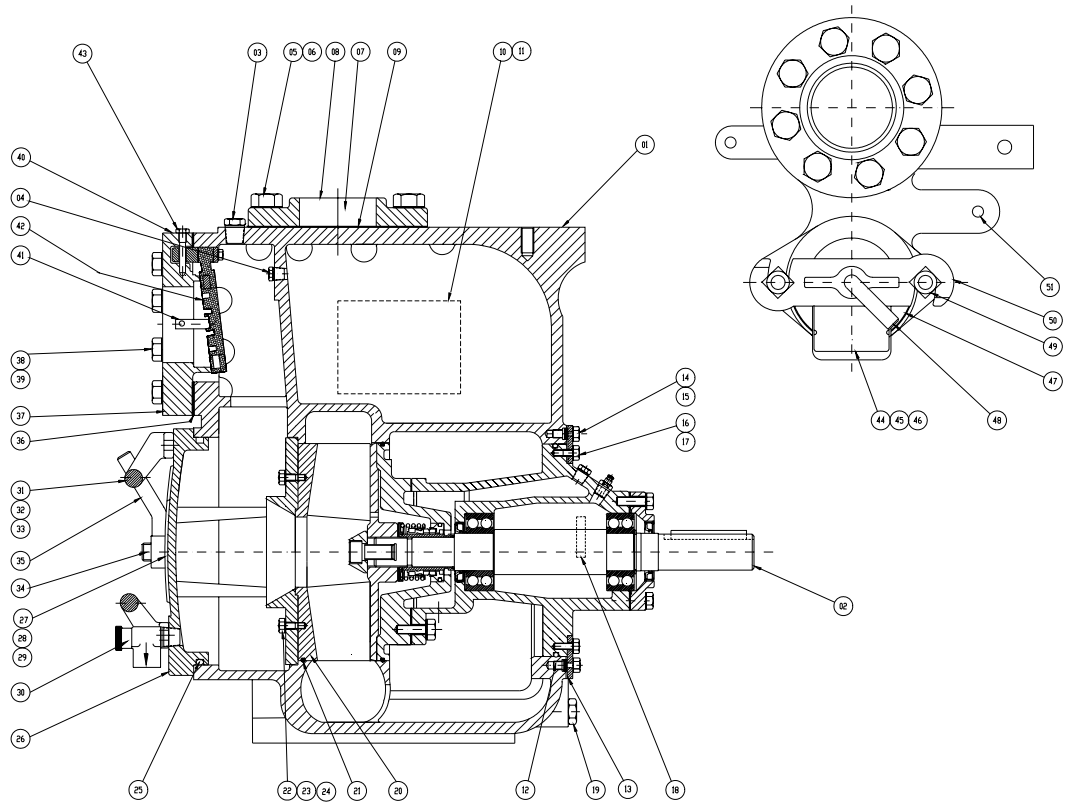


Figure 1. Pump Model

PARTS LIST
Pump Model HP-6

ITEM NO.	PART NAME	QTY	PART NUMBER
01	PUMP CASING	01	9600132000
02	* REPAIR ROTATING ASSY	01	9600152000
03	PIPE PLUG	01	3310271020
04	PIPE PLUG	01	3310271020
05	HEX HD CAPSCREW	08	2101265840
06	LOCKWASHER	08	2321080920
07	DISCHARGE STICKER	01	9901341000
08	DISCHARGE FLANGE	01	3354211220
09	* DISCH FLANGE GSTK	01	9901324000
10	NAME PLATE	01	9901326000
11	DRIVE SCREW	04	2750201200
12	ROT ASSY SCREW SET	06	2102133870
13	ROT ASSY O-RING	01	9901362000
14	HEX HD CAPSCREW	06	2101263890
15	LOCKWASHER	06	2321080840
16	HEX HD CAPSCREW	06	2101263890
17	LOCKWASHER	06	2321080840
18	ROTATION DECAL	01	9901433000
19	PIPE PLUG	01	3310271100
20	* WAER PLATE ASSY	01	9800880000
21	* BACK COVER O'RING	01	3606131060
22	STUD	04	9901425000
23	HEX NUT	04	2211270030
24	LOCKWASHER	04	2321080800
25	* BACK COVER O'RING	01	3606224540
26	BACK CBR PLATE ASSY	01	9700470000
27	WARNING PLATE	01	9901328000
28	DRIVE SCREW	04	2750201200
29	CAUTION DECAL	01	9901329000
30	PRESS RELIEF VALVE	01	3768500301
31	BACK COVER PLATE	02	9800887000
32	HEX HD CAPSCREW	04	2101262570
33	LOCKWASHER	04	2321080800
34	STUD	02	9901332000
35	HAND NUT	02	9901309000
36	* SUCTION FLANGEGASKET	01	9901523000
37	SUCTION FLANGE	01	9901298000
38	HEX HD CAPSCREW	08	2101265840
39	LOCKWASHER	08	2321080920
40	SUCTION DECAL	01	9901340000
41	PIPE PLUG	01	3310271020
42	* VALVE ASSEMBLY	01	9700460000
43	CHECK VALVE PIN	01	9901308000
44	FILL COVER ASSY	01	9901299000
45	WARNING PLATE	01	9901331000
46	DRIVE SCREW	02	2750201200
47	* FILL COVER GASKET	01	9901330000
48	CLAMP BAR SCREW	01	9901311000
49	MACHINE BOLT	02	2102565150
50	CLAMP BAR	01	9800868000
51	PIPE PLUG	01	3310271020

* INDICATES PARTS RECOMMENDED FOR STOCK

SECTION DRAWING

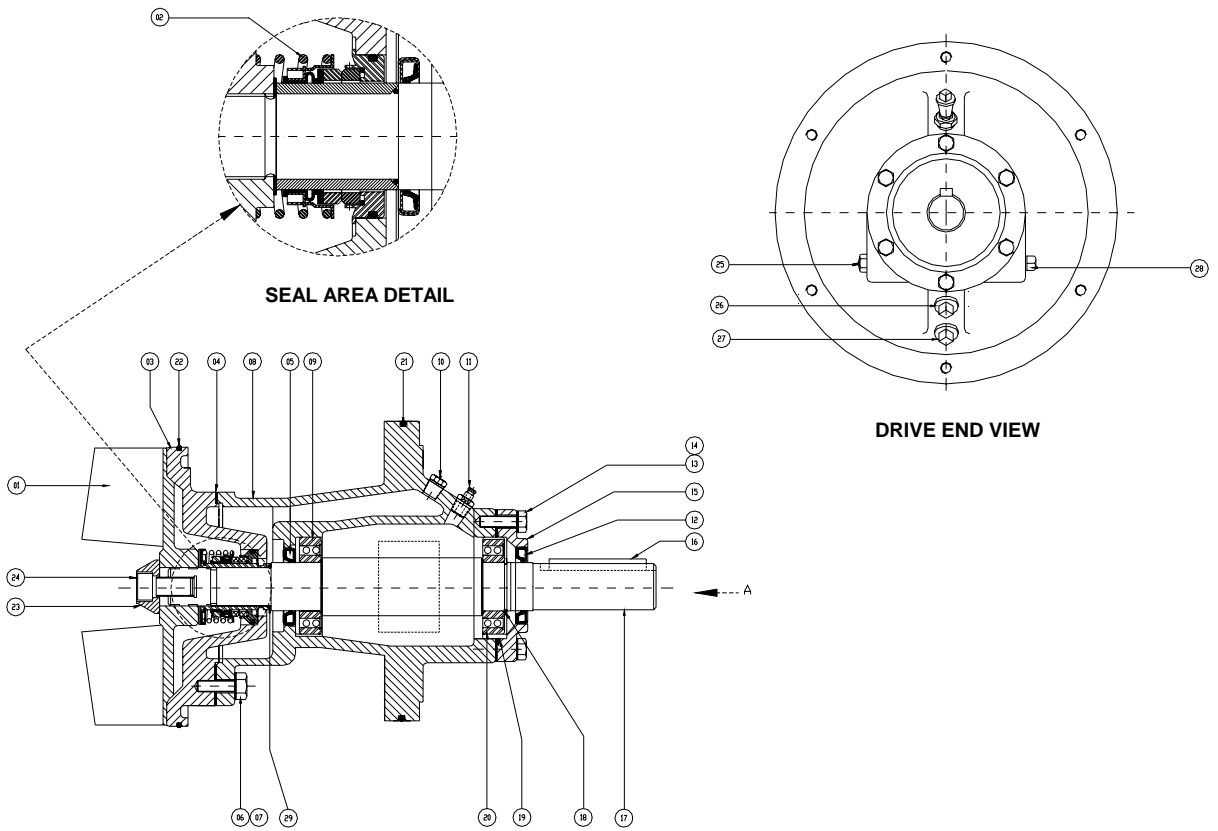


Figure 2. Repair Rotating Assembly

PART LIST

Repair Rotating Assembly

ITEM NO.	PART NAME	QTY	PART NUMBER
01	* IMPELLER	01	9700468000
02	* SEAL ASSEMBLY	01	9700907000
03	SEAL PLATE	01	9700469000
04	* SEAL PLATE GASKET	01	9901364000
05	* INBOARD OIL SEAL	01	3680049460
06	HEX HD CAPSCREW	04	2101265070
07	LOCKWASHER	04	2321080880
08	BEARING HOUSE	01	9700480000
09	* INBOARD VALL BEARING	01	3180074480
10	VENTED SEAL CAVITY PLUG	01	9901335000
11	VENTED SEAL CAVITY PLUG	01	3310990600
12	* OUTBOARD OIL SEAL	01	3680049460
13	HEX HD CAPSCREW	06	2101262590
14	LOCKWASHER	06	2321080800
15	BEARING CAP	01	9901358000
16	* SHAFT KEY	01	9901336000
17	IMPELLER SHAFT	01	9800899000
18	BEARING RETAINING RING	01	2322600360
19	* BEARING CAP O'RING	01	3606124980
20	* OUTBOARG BALL BEARING	01	3180074570
21	* ROTATING ASSEMBLY O'RING	01	3606131040
22	* SEAL PLATE O'RING	01	3606131060
23	IMPELLER WASHER	01	9901313000
24	IMPELLER CAPSCREW	01	2102141950
25	OIL LEVEL SIGHT GAUGE	01	3480500200
26	PIPE PLUG	01	3310271060
27	PIPE PLUG	01	3310271060
28	PIPE PLUG	01	3310271080
29	SEAL PLATE O-RING	01	3606220260

* INDICATES PARTS RECOMMENDED FOR STOCK