

PARTS LIST  
WITH RECOMMENDED SPARE

**LP-8 SERIES PUMP**



MODEL

---

**LP - 8**

Thomas Pump & Machinery  
120 Industrial Drive  
Slidell, LA 70460

PH: 985-649-3000  
Fax: 985-649-4300

# SECTION DRAWING

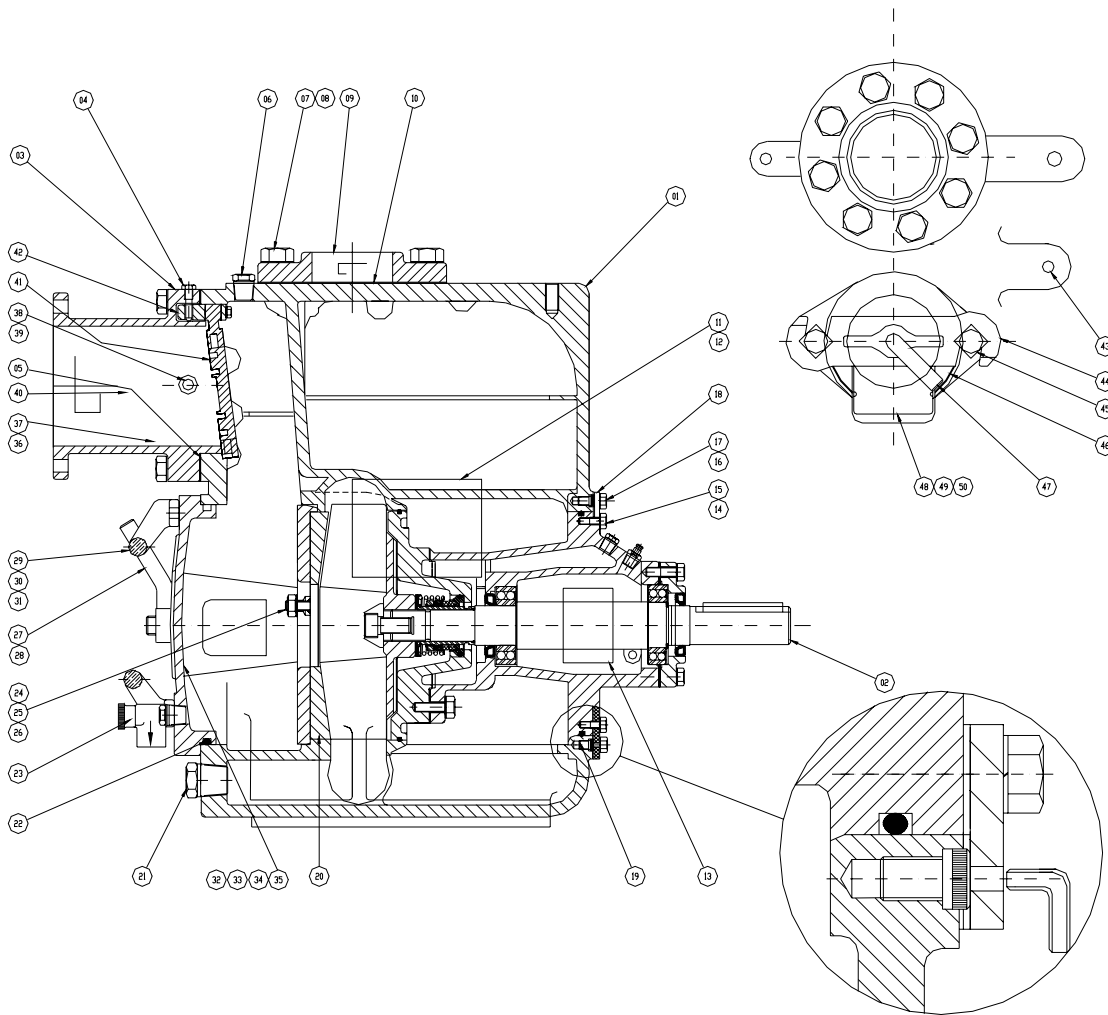


Figure 1. Pump Model

**PARTS LIST**  
**Pump Model LP-8**

ITEM NO.		PART NAME	QTY	PART NUMBER
01		<b>PUMP CASING</b>	<b>01</b>	<b>9600153000</b>
02	*	REPAIR ROTATING ASSY	01	9600148000
03		<b>SUCTION FLANGE</b>	<b>01</b>	<b>9700493000</b>
04		CHECK VALVE PIN	01	9901373000
05	*	<b>SUCT FLANGE GSKT</b>	<b>01</b>	<b>9901374000</b>
06		PIPE PLUG	01	3310271020
07		<b>HEX HD CAPSCREW</b>	<b>08</b>	<b>2101265850</b>
08		LOCKWASHER	08	2321080920
09		<b>DISCHARGE FLANGE</b>	<b>01</b>	<b>3354211240</b>
10	*	DISH FLANGE GSKT	01	9901375000
11		<b>NAME PLATE</b>	<b>01</b>	<b>9901325000</b>
12		DRIVE SCREW	04	2750201200
13		<b>ROTATION DECAL</b>	<b>01</b>	<b>9901433000</b>
14		HEX HD CAPSCREW	06	2101263880
15		<b>LOCKWASHER</b>	<b>06</b>	<b>2321080840</b>
16		HEX HD CAPSCREW	06	2101263890
17		<b>LOCKWASHER</b>	<b>06</b>	<b>2321080840</b>
18		CASING RING	01	9901354000
19		<b>ROT ASSY SCREW SET</b>	<b>06</b>	<b>2102133870</b>
20	*	WEAR PLATE ASSY	01	9700492000
21		<b>PIPE PLUG</b>	<b>01</b>	<b>3310271160</b>
22	*	BACK COVER O`RING	01	3606224590
23	*	<b>PRESS RELIEF VALVE</b>	<b>01</b>	<b>3768500300</b>
24		STUD	03	9901376000
25		<b>LOCKWASHER</b>	<b>03</b>	<b>2321080840</b>
26		HEX NUT	03	2211270050
27		<b>HAND NUT</b>	<b>04</b>	<b>9901309000</b>
28		STUD	04	9911432000
29		<b>BACK COVER PLATE</b>	<b>04</b>	<b>9800887000</b>
30		HEX HD CAPSCREW	08	2101262570
31		<b>LOCKWASHER</b>	<b>08</b>	<b>2321090800</b>
32		BACK COVER PLATE ASSY	01	9700522000
33		<b>WARNING PLATE</b>	<b>01</b>	<b>9901328000</b>
34		DRIVE SCREW	04	2750201200
35		<b>CAUTION DECAL</b>	<b>01</b>	<b>9901329000</b>
36		HEX HD CAPSCREW	08	2101265850
37		<b>LOCKWASHER</b>	<b>08</b>	<b>2321080920</b>
38		PIPE PLUG	01	3310271020
39		<b>PIPE PLUG</b>	<b>01</b>	<b>3310271020</b>
40		SUCTION STICKER	01	9901340000
41	*	<b>VALVE ASSEMBLY</b>	<b>01</b>	<b>9700464000</b>
42		DISCHARGE DECAL	01	9901341000
43		<b>PIPE PLUG</b>	<b>01</b>	<b>3310271020</b>
44		CLAMP BAR	01	9800868000
45		<b>HEX HD CAPSCREW</b>	<b>02</b>	<b>2102565150</b>
46	*	FILL COVER GASKET	01	9901330000
47		<b>CLAMP BAR SCREW</b>	<b>01</b>	<b>9901311000</b>
48		FILL COVER ASSY	01	9901299000
49		<b>WARNING PLATE</b>	<b>01</b>	<b>9901331000</b>
50		DRIVE SCREW	02	2750201200

**\* INDICATES PARTS RECOMMENDED FOR STOCK**

# SECTION DRAWING

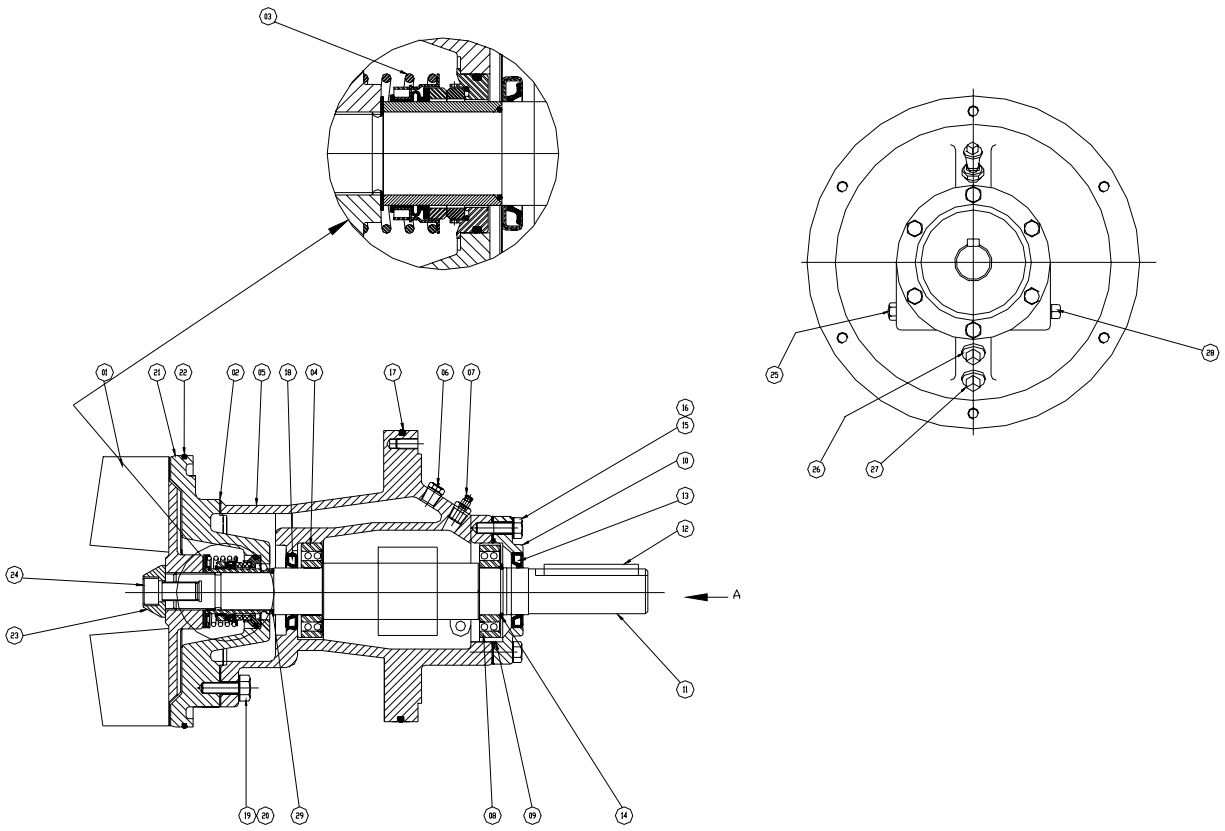


Figure 2. Repair Rotating Assembly

## PART LIST

### Repair Rotating Assembly

ITEM NO.		PART NAME	QTY	PART NUMBER
<b>01</b>	*	<b>IMPELLER</b>	<b>01</b>	<b>9700494000</b>
02	*	SEAL PLATE GASKET	01	9901377000
<b>03</b>	*	<b>SEAL ASSEMBLY</b>	<b>01</b>	<b>9800907000</b>
04	*	INBOARD BALL BEARING	01	3180074480
<b>05</b>		<b>BEARING HOUSE</b>	<b>01</b>	<b>9700496000</b>
06		PIPE PLUG	01	9901335000
<b>07</b>		<b>VENTED PLUG</b>	<b>01</b>	<b>3110906000</b>
08	*	OUTBOARD BALL BEARING	01	3180074570
<b>09</b>	*	<b>BRG HOUSING O`RING</b>	<b>01</b>	<b>3606124980</b>
10		BEARING CAP	01	9901358000
<b>11</b>		<b>IMPELLER SHAFT</b>	<b>01</b>	<b>9800917000</b>
12	*	SHAFT KEY	01	9901357000
<b>13</b>	*	<b>OUTBOARD OIL SEAL</b>	<b>01</b>	<b>3680049460</b>
14		BEARING RETAINING RING	01	2322600360
<b>15</b>		<b>HEX HD CAPSCREW</b>	<b>04</b>	<b>2101262590</b>
16		LOCKWASHER	04	2321080800
<b>17</b>	*	<b>BEARING HOUSING O`RING</b>	<b>01</b>	<b>3606224580</b>
18	*	INBOARD OIL SEAL	01	3680049460
<b>19</b>		<b>HEX HD CAPSCREW</b>	<b>04</b>	<b>2101265070</b>
20		LOCKWASHER	04	2321080880
<b>21</b>		<b>SEAL PLATE</b>	<b>01</b>	<b>9700495000</b>
22	*	SEAL PLATE O`RING	01	3606131840
<b>23</b>		<b>IMPELLER WASHER</b>	<b>01</b>	<b>9901313000</b>
24		IMPELLER CAPSCREW	01	2102141950
<b>25</b>		<b>SIGHT GAUGE</b>	<b>01</b>	<b>3480500200</b>
26		PIPE PLUG	01	3310271060
<b>27</b>		<b>PIPE PLUG</b>	<b>01</b>	<b>3310271060</b>
28		PIPE PLUG	01	3310271080
<b>29</b>		<b>SEAL ASSEMBLY O-RING</b>	<b>01</b>	<b>3606220260</b>

\* INDICATES PARTS RECOMMENDED FOR STOCK