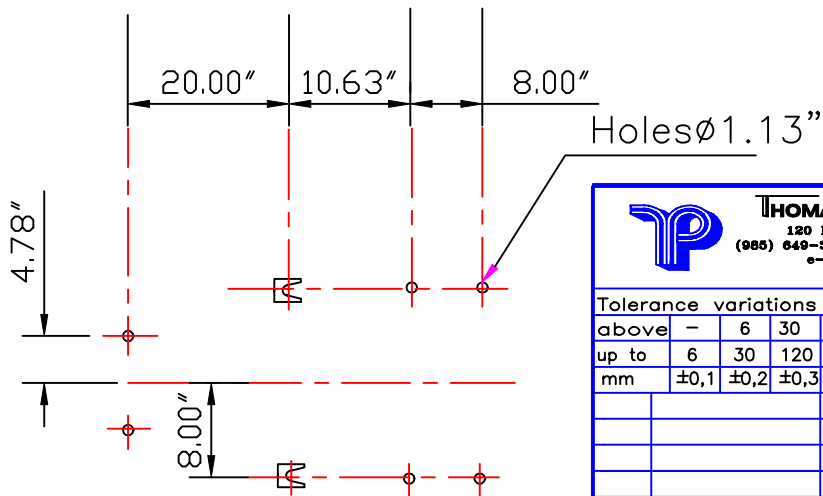
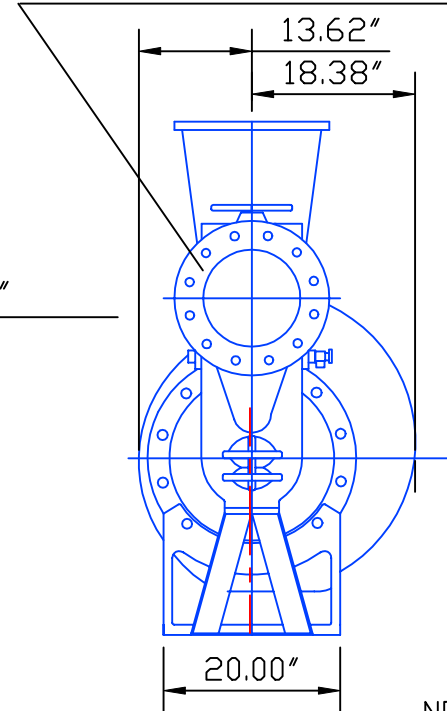
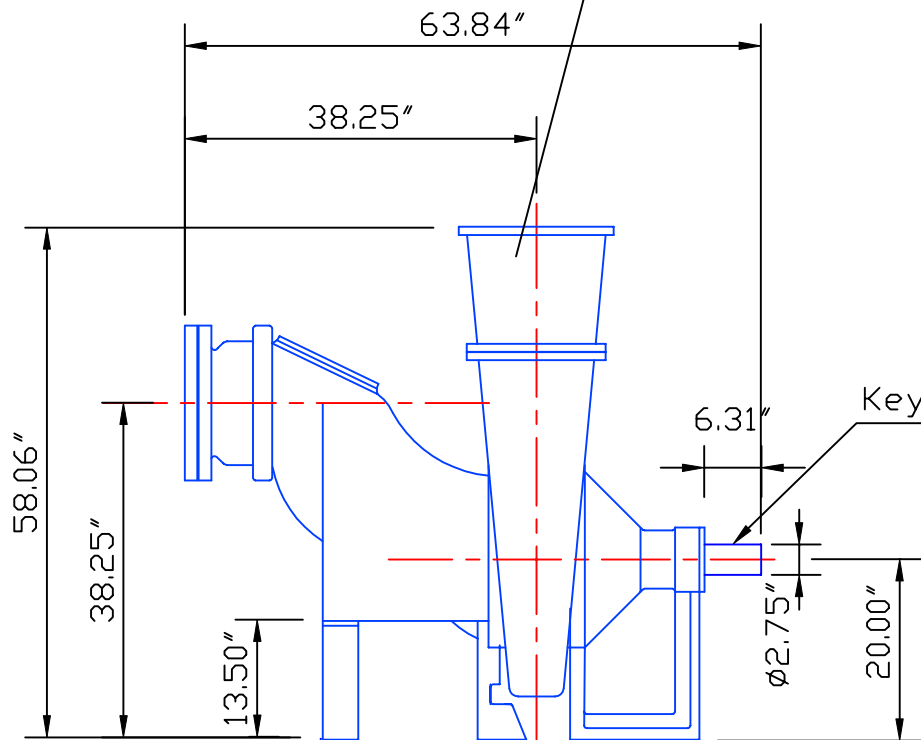


DISCHARGE DN12"ANSI B 16.5

SUCTION DN12"ANSI B 16.5



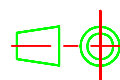
NOTE: MAINTAIN DISTANCE OF 18.4" ON EACH END TO REMOVE THE COVER AND THE ROTATING ASSEMBLY.



THOMAS PUMP & MACHINERY, INC.

120 Industrial Drive, Slidell, LA 70460
 (985) 649-3000 fax (985) 649-4300 1-800-256-7867
 e-mail tpump@thomaspump.com
 www.thomaspump.com

Tolerance variations according to DIN							
above	-	6	30	120	315	1000	2000
up to	6	30	120	315	1000	2000	4000
mm	±0,1	±0,2	±0,3	±0,5	±0,8	±1,2	±2



Material:

Scale: NTS

1997	Date	Name
Drawn by	02.01	RICA
Approved by	02.01	Ricardo

Description:
 LP12 ESCO

Drawing no.:
 9802000100

Revision	Summary	Date	Name
Δ	CONVERTED TO INCHES.	03-08-02	BE